

未注公差/General tolerances(mm)													0.1/10 ±2'
0	>3	>6	>10	>18	>30	>50	>80	>120	>180	>250	>315	>400	
~ 3	~ 6	~ 10	~ 18	~ 30	~ 50	~ 80	~ 120	~ 180	~ 250	~ 315	~ 400	~ 500	>500
±0.12	±0.18	±0.22	±0.26	±0.31	±0.37	±0.57	±0.80	±0.93	±1.05	±1.15	±1.60	±2.20	±2.50

A

A

B

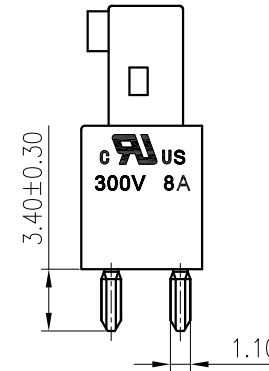
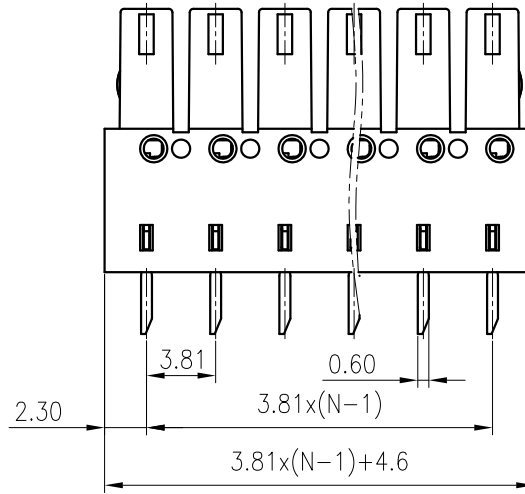
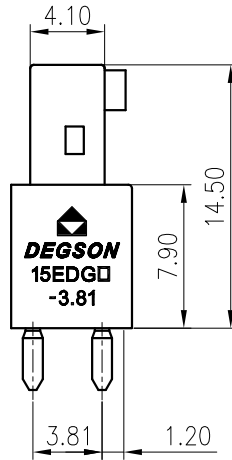
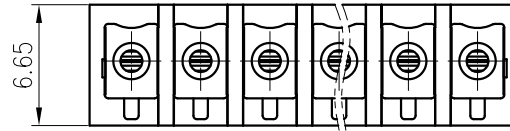
B

C

C

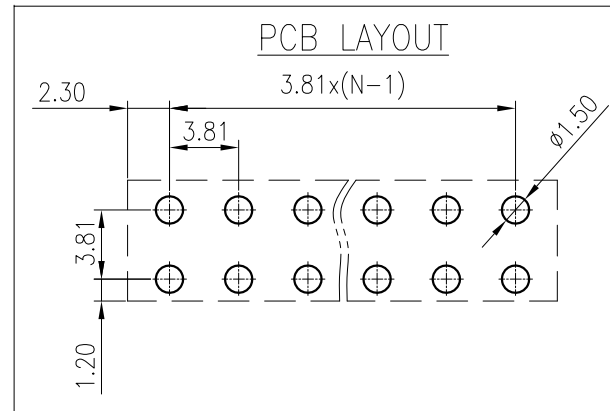
D

D



**15EDGB-3.81-XXP-1Y-00AH**  
**15EDG - series**  
**B - modification to PCB**  
**XXP - number of Poles (number of Pins)**  
**1 - single-row**  
**Y - color of housing (4 - green color)**  
**00AH - no value**

2	Clamp	Copper alloy	Sn Plated
1	Housing	PA66	UL94V-0
ITEM	NAME OF PART	MATERIAL	NOTES
UL 标准/UL Standard:		B	C D
额定电压/电流/Rated Voltage(V)/Current(A)		300/8	/ /
IEC 标准/IEC Standard:			
过压类别/Overvoltage Category/污染等级/Pollution Degree		III/3	III/2 II/2
额定电压/电流/Rated Voltage(V)/Current(A)		160/7	250/7 320/7
额定脉冲电压(kV)/Rate Impulse Voltage(kV)		2.5	2.5 2.5
间距/Pitch(mm)/线数范围/Poles		3.81/N=02~24P	
使用温度范围/Operating temperature(°C)		-40~+105	
符合RoHS环保要求/Conform to RoHS		Yes	



MATERIAL: /	SURFACE: /		
MAT NO.: /	宁波高松电子有限公司 NINGBO DEGSON ELECTRICAL CO., LTD		
STATUS: /			
APPD: Li GL 2020.06.17	NAME: 15EDGB-3.81-XXP-1Y-00A(H)		
CHKD: Mao J 2020.06.17	DRAWING NO.: 15EDGB-3.81-C01		
DRFT: ZhengQG 2020.06.17	REV		T0
⊕	SIZE: A4	SCALE: 2.5:1	SHEET 1/1

REV	ECN	DESCRIPTION	DRFT	DATE