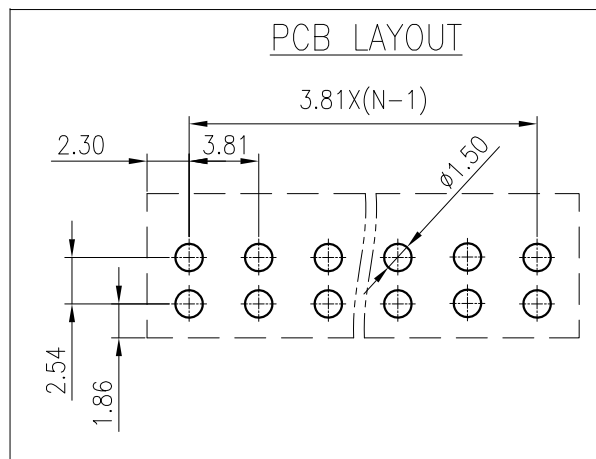
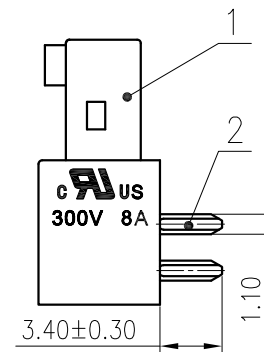
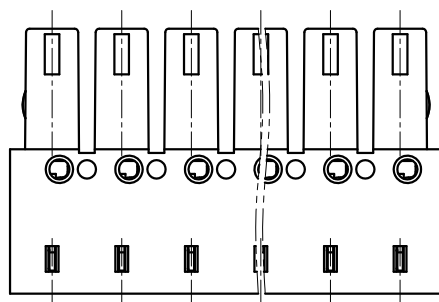
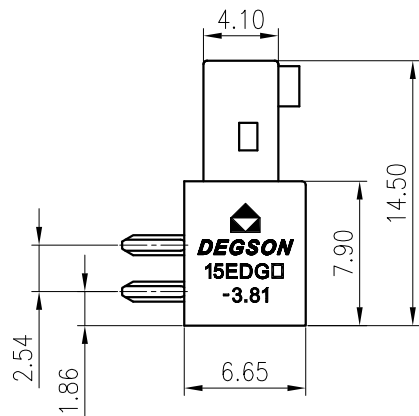
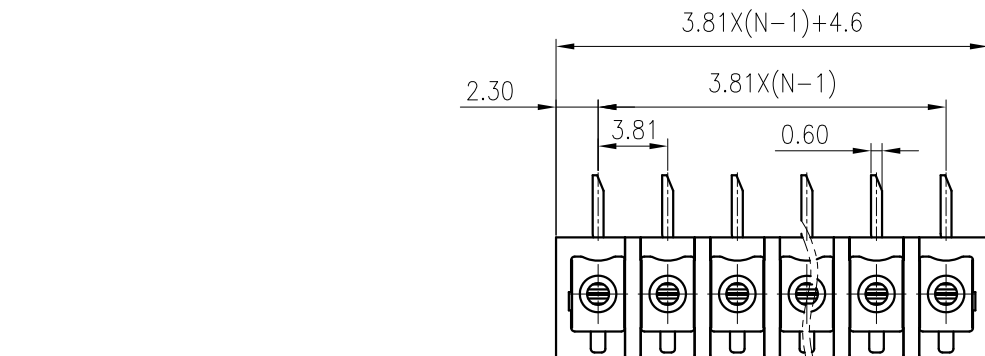


未注公差/General tolerances(mm)											0.1/10 /±2'		
0 ~ 3	>3 ~ 6	>6 ~ 10	>10 ~ 18	>18 ~ 30	>30 ~ 50	>50 ~ 80	>80 ~ 120	>120 ~ 180	>180 ~ 250	>250 ~ 315		>315 ~ 400	>400 ~ 500
±0.12	±0.18	±0.22	±0.26	±0.31	±0.37	±0.57	±0.80	±0.93	±1.05	±1.15	±1.60	±2.20	±2.50



2	Clamp	Copper alloy	Sn Plated
1	Housing	PA66	UL94V-0
ITEM	NAME OF PART	MATERIAL	NOTES
UL 标准/UL Standard:		B	C D
额定电压/电流/Rated Voltage(V)/Current(A)		300/8	/ /
EC 标准/IEC Standard:			
过压类别/Overvoltage Category/污染等级/Pollution Degree		III/3	III/2 II/2
额定电压/电流/Rated Voltage(V)/Current(A)		160/7	250/7 320/7
额定脉冲电压(KV)/Rate Impulse Voltage(KV)		2.5	2.5 2.5
间距/Pitch(mm)/线数范围/Poles		3.81/N=02~24P	
使用温度范围/Operating temperature(°C)		-40~+105	
符合RoHS环保要求/Conform to RoHS		Yes	

MATERIAL: /	SURFACE: /		
MAT NO.: /	宁波高松电子有限公司 NINGBO DEGSON ELECTRICAL CO., LTD		
STATUS: /			
APPD: Li GL 2020.06.17	NAME: 15EDGA-3.81-XXP-1Y-00A(H)		
CHKD: Mao J 2020.06.17	DRAWING NO.: 15EDGA-3.81-C01		REV TO
DRFT: ZhengQG 2020.06.17	TYPE: CUSTOMER DRAWING		SCALE: 2.5:1 SHEET 1/1

REV	ECN	DESCRIPTION	DRFT	DATE