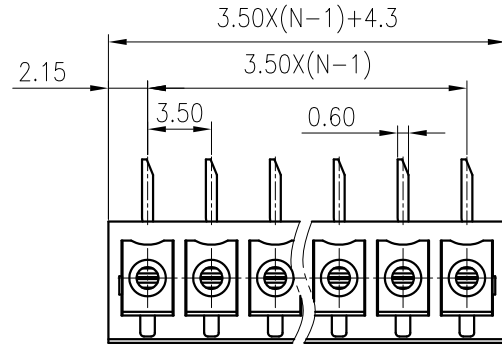
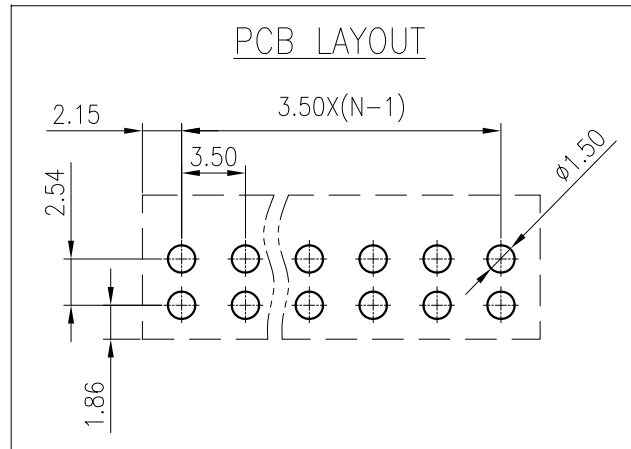
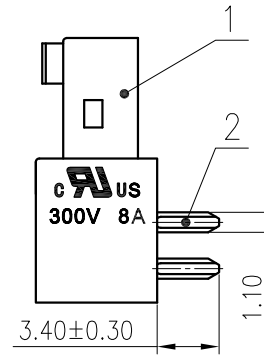
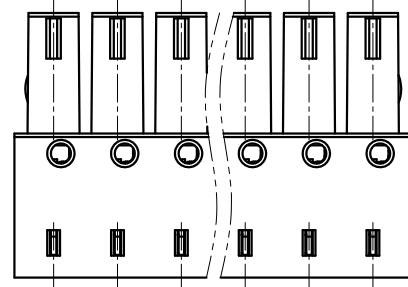
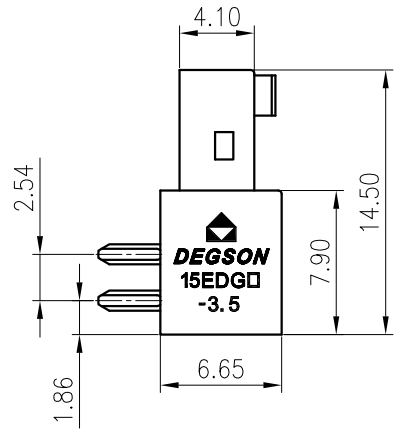


未注公差/General tolerances(mm)											0.1/10		
0	>3	>6	>10	>18	>30	>50	>80	>120	>180	>250		>315	>400
3	6	10	18	30	50	80	120	180	250	315	400	500	>500
±0.12	±0.18	±0.22	±0.26	±0.31	±0.37	±0.57	±0.80	±0.93	±1.05	±1.15	±1.60	±2.20	±2.50



15EDGA-3.5-XXP-1Y-00AH
15EDGA-3.5 - series
XXP - number of Poles (number of Pins)
1 - single-row
Y - color of housing (4 - green color, 3 - black color)
00AH - no value



2	Clamp	Copper alloy	Sn Plated
1	Housing	PA66	UL94V-0
ITEM	NAME OF PART	MATERIAL	NOTES
UL 标准/UL Standard:		B	C
额定电压/电流/Rated Voltage(V)/Current(A)		300/8	/
IEC 标准/IEC Standard:			
过压类别/Overvoltage Category/污染等级/Pollution Degree		III/3	III/2
额定电压/电流/Rated Voltage(V)/Current(A)		160/7	250/7
额定脉冲电压(kV)/Rate Impulse Voltage(kV)		2.5	2.5
间距/Pitch(mm)/线数范围/Poles		3.50/N=02~24P	
使用温度范围/Operating temperature(°C)		-40~+105	
符合RoHS环保要求/Conform to RoHS		Yes	

MATERIAL:	/	SURFACE:	/
MAT NO.:	/	宁波高松电子有限公司 NINGBO DEGSON ELECTRICAL CO., LTD	
STATUS:	/		
APPD:	Li GL 2020.06.17	NAME:	
CHKD:	Mao J 2020.06.17	15EDGA-3.5-XXP-1Y-00A(H)	
DRFT:	ZhengQG 2020.06.17	DRAWING NO.:	15EDGA-3.5-C01
REV	ECN	DESCRIPTION	DRFT
DATE	SIZE: A4	TYPE: CUSTOMER DRAWING	SCALE: 2.5:1
			SHEET 1/1