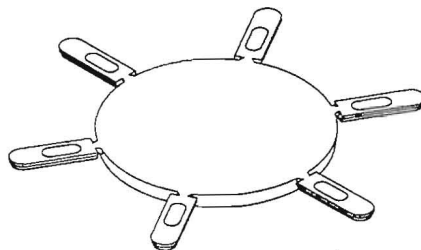
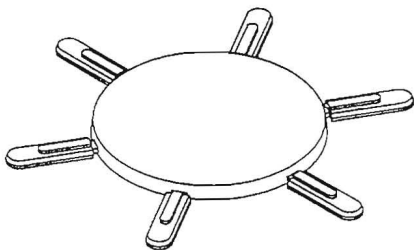
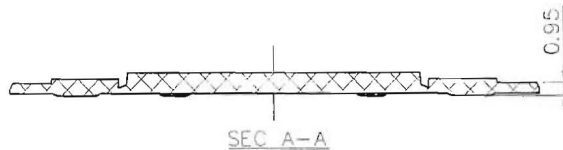
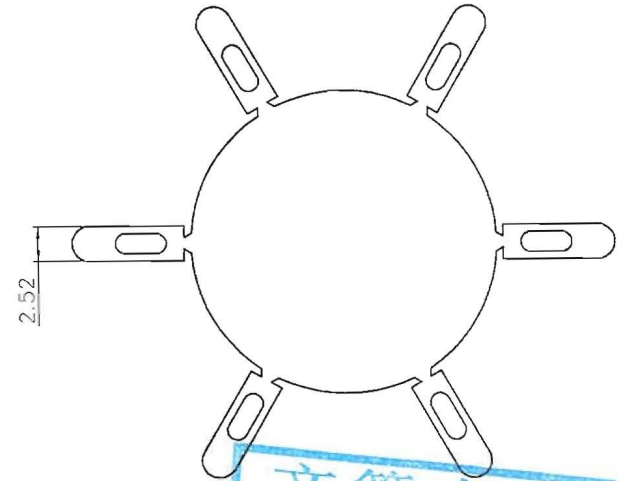
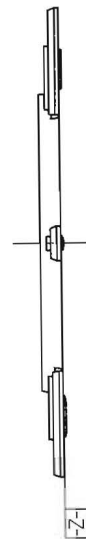
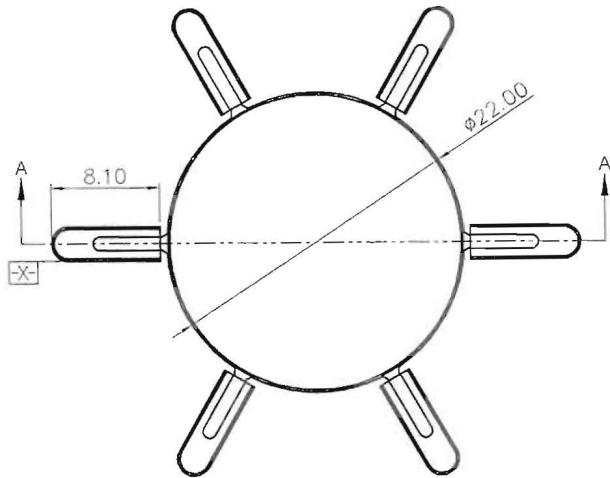
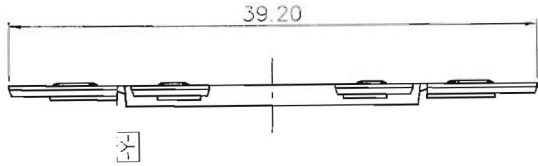


REVISION RECORD				
REV	ECN	DESCRIPTION	DRFT	DATE



- Notes:
1. Poles: 6P;
 2. The burr must control within 0.05mm;
 3. Cosmetic surfaces couldn't showed Deburring, Flash, Melting mark, shrinkage, etc on the parts;
 4. Undimensioned Tolerances:
- 注:产品需与客户需求插针插头实配

文管中心用
研发专用
2014.12.16

PITCH RANGE IN MM		NOMINAL DIMENSION RANGE IN MM							
TO	OVER	OVER	TO	OVER	OVER	OVER	\sim \square		
6	6 TO 10	10 TO 24	30 TO 60	60 TO 100	100 TO 150	150 TO 150			
	± 0.10	± 0.15	± 0.25	± 0.20	± 0.30	± 0.50	± 0.70	± 1.00	0.05/10

ITEM	NAME OF PART	NO. OF PART	Q'TY	MATERIAL	NOTES
1	15EDG-PW-06P-16-00AH	1002J1606AH	1	POM	UL94HB

DETACHED LISTS	MM (INCH)		MATERIAL: Series 15EDG-PWI		宁波高正电子有限公司 Ningbo Degson Electrical Co., Ltd.	
	TOLERANCES EXCEPT AS NOTED		FINISH:		NAME: 15EDG-PW-06P-16-00A(H)	
	.X ±	.X' ±	PART NO.:		TITLE: ASSEMBLY DRAWING	
	.XX ±	.XX' ±	APPD: <i>Aporn 12/29/12</i>		DRAWING NO.: 15EDG-PWI-E01	
	.XXX ±	.XXX' ±	CHKD: <i>Xiam m/12/14</i>		REV	
ANGLES ± 1'		THIRD ANGLE PROJECTION		DRFT: LZT 11/29/12"		TO
DO NOT SCALE DRAWING				SCALE	1:1	SHEET 1/1