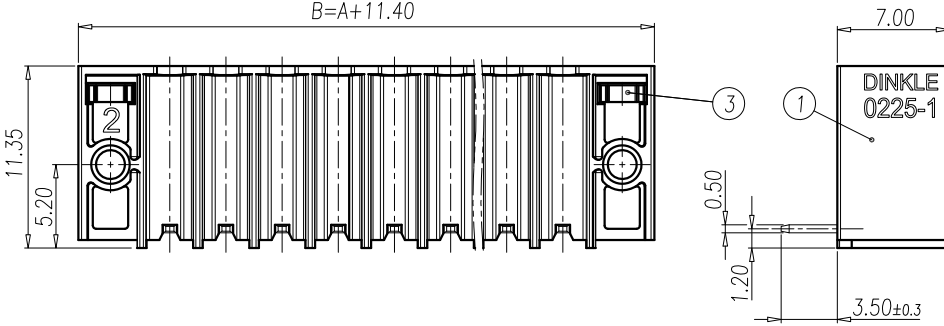
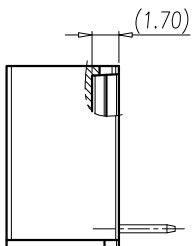
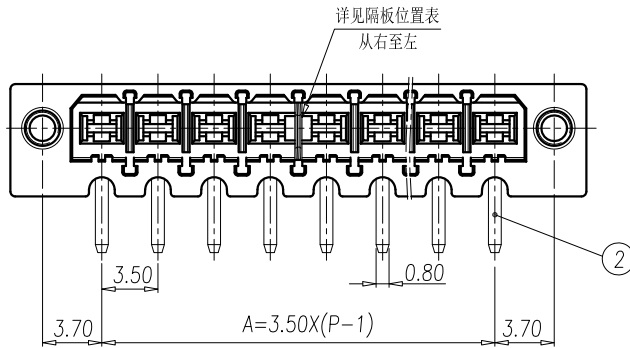
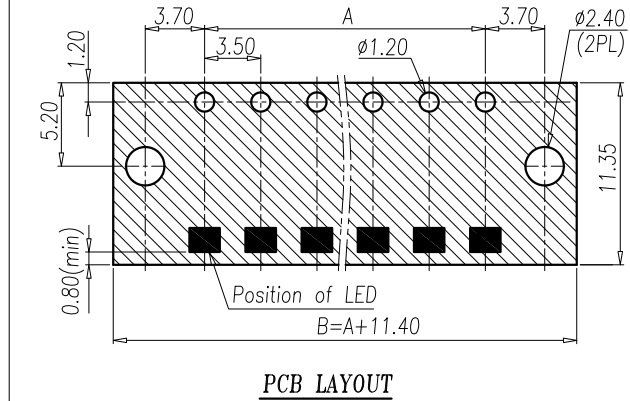
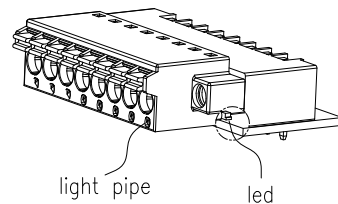


P	2	3	4	5	6	7	8
A	3.5	7.0	10.5	14.0	17.5	21.0	24.5
B	14.9	18.4	21.9	25.4	28.9	32.4	35.9
P	9	10	11	12	13	14	
A	28.0	31.5	35.0	38.5	42.0	45.5	
B	39.4	42.9	46.4	49.9	53.4	56.9	



各P数对应隔板位置表

P数	位置	1~2	2~3	3~4	4~5	5~6	6~7	7~8	8~9	9~10	10~11
2~4P	无隔板										
5P			✓								
6P			✓								
7P				✓							
8P				✓							
9P			✓				✓				
10P			✓					✓			
11P				✓					✓		
12P				✓					✓		
13P			✓				✓			✓	
14P				✓				✓			✓

NOTES 1:

- UL Standard :
 - 1. Rating: 300V 8A
 - 2. Insulation Withstands Voltage: AC 2000V at 1 minute
 - 3. Using Temperature Range: -40°C~+115°C
- IEC Standard :
 - 1. Rating: 630V 15A
 - 2. Rate Impulse Voltage: 4000V
 - 3. Insulation Resistance: 500MΩ or more at DC500V

NOTES 2:

- 4. Material Group : I
- 5. Pollution Degree : 2
- 6. Overvoltage Category: II
- 7. Using Temperature Range: -40°C~+120°C
- 1. RoHS compliance

Total Pitch Tolerances		Normal Dimension Tolerances	
0~30	±0.20	0~30	±0.25
over 30~53	±0.25	over 30~53	±0.30
over 53~70	±0.30	over 53~70	±0.35
over 70~90	±0.35	over 70~90	±0.44
over 90~115	±0.44	over 90~115	±0.55
over 115~150	±0.55	over 115~150	±0.70
over 150~200	±0.70	over 150~200	±0.85
over 200~250	±0.85	over 200~250	±1.00
over 250~320	±1.00	over 250~320	±1.20

3	NUT	STEEL	M2/Zn Plated
2	SOLDER PIN 1	COPPER ALLOY	Tin Plated
1	HOUSING	PA66	UL94-V0 BLACK
ITEM	NAME OF PART	MATERIAL	NOTES

DWG.	LWF	DATE	18.05.28	UNITS	MM	SHEET/OF	1 / 1
CHK.		DATE		SCALE	3:1 (:)		
APP.		DATE		NAME	0225-13XX		
				DWG NO.	SP-03-02251300		

REV.	CONTENT	NAME	DATE