

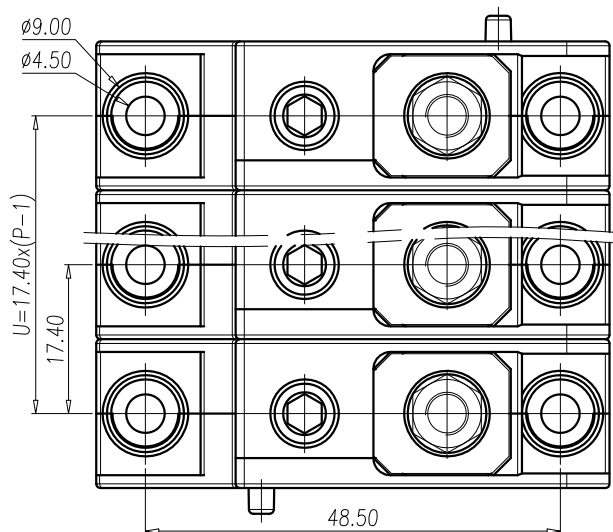
NOTES 1:

UL Standard :

1. Rating: 600V 115A
2. Insulation Withstands Voltage:
AC 2500V at 1 minute
3. Using Temperature Range:
-40°C~+115°C
4. Screw Torque Value:
LINE: 40 lb-in
LOAD: 18 lb-in
5. Suitable Electric Wire:
LINE: 2~6 AWG
LOAD: M5 STUD

IEC Standard:

1. Rate Impulse Voltage: 8000V
2. Insulation Resistance:
500M Ω or more at DC500V

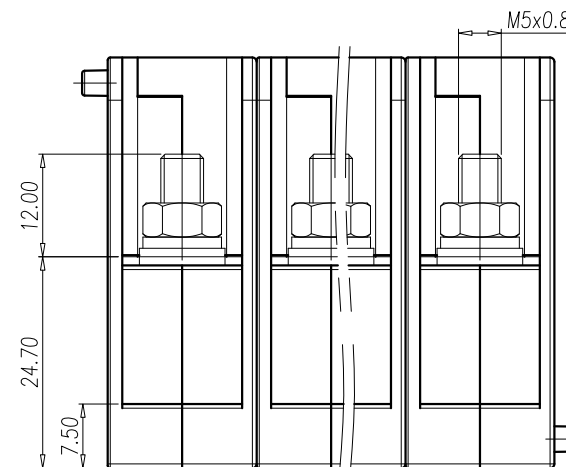
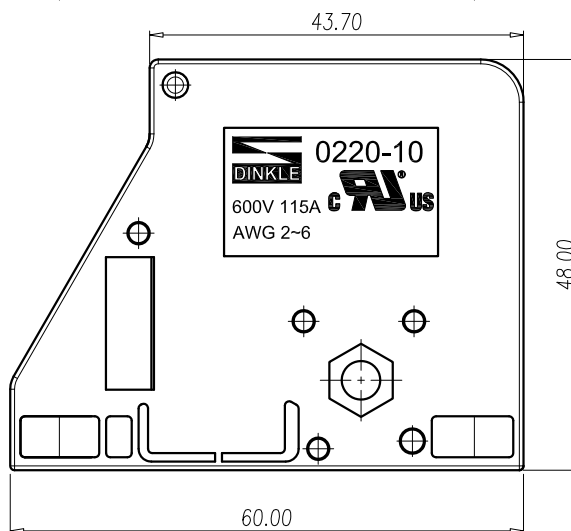
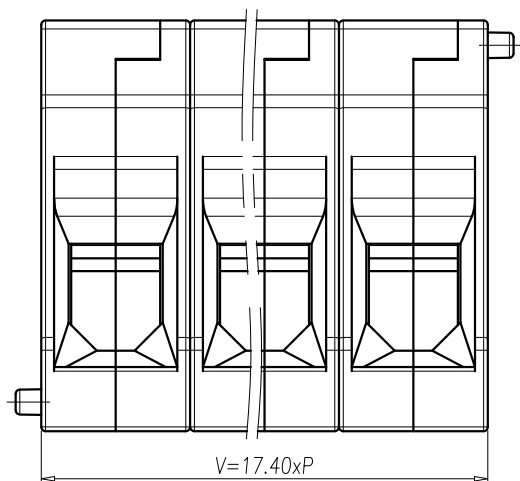


Normal Geometric Tolerancing

—	//	≡	⊥
0 to 100	0.2	0.3	0 to 10 0.2
over 100 to 150	0.3	0.3	over 10 0.3
over 150	0.5		
Total Pitch Tolerances		Normal dimension Tolerances	
0<U<=30	±0.30	0~30	±0.35
30<U<=53	±0.35	over 30~53	±0.40
53<U<=70	±0.40	over 53~70	±0.45
70<U<=90	±0.45	over 70~90	±0.50

NOTES 2:

1. RoHS compliance
2. Strip Length: 15~16mm



P	1	2	3	4	5
U	17.40	34.80	52.20	69.60	87.00
V	17.40	34.80	52.20	69.60	87.00
P	6	7	8	9	10
U	87.00	104.40	121.80	139.20	156.60
V	104.40	121.80	139.20	156.60	174.00

Total Pitch Tolerances		Normal Dimension Tolerances	
0~30	±0.20	0~30	±0.25
over 30~53	±0.25	over 30~53	±0.30
over 53~70	±0.30	over 53~70	±0.35
over 70~90	±0.35	over 70~90	±0.44
over 90~115	±0.44	over 90~115	±0.55
over 115~150	±0.55	over 115~150	±0.70
over 150~200	±0.70	over 150~200	±0.85
over 200~250	±0.85	over 200~250	±1.00
over 250~320	±1.00	over 250~320	±1.20

ITEM	NAME OF PART	MATERIAL	NOTES
4	CONDUCTOR		
3	NUT 1	STEEL	M5/Zn Plated
2	COVER	PA	UL94-V0 BLACK
1	HOUSING	PA	UL94-V0 BLACK

8	WASHER	STEEL	Zn Plated	DWG.	YXW	DATE	2015.12.11	UNITS	MM	SHEET/OF	1 / 1
7	SPRING WASHER	STEEL	Zn Plated	CHK.		DATE		SCALE	1.6:1 (:)		
6	SCREW 2	STEEL	M6/Zn Plated	APP.		DATE		NAME	0220-10XX		
5	WIRE CAGE	STEEL	M6/Zn Plated					DWG NO.	SP-03-022010XX		
REV.	CONTENT	CHK.	DATE	ITEM	NAME OF PART	MATERIAL	NOTES				