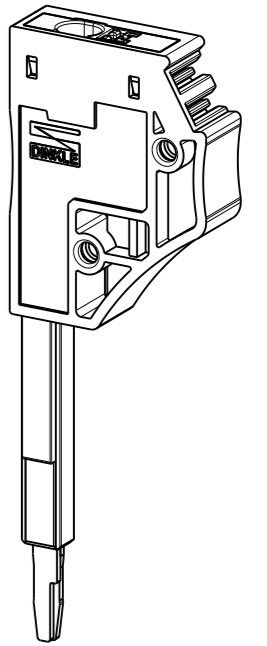
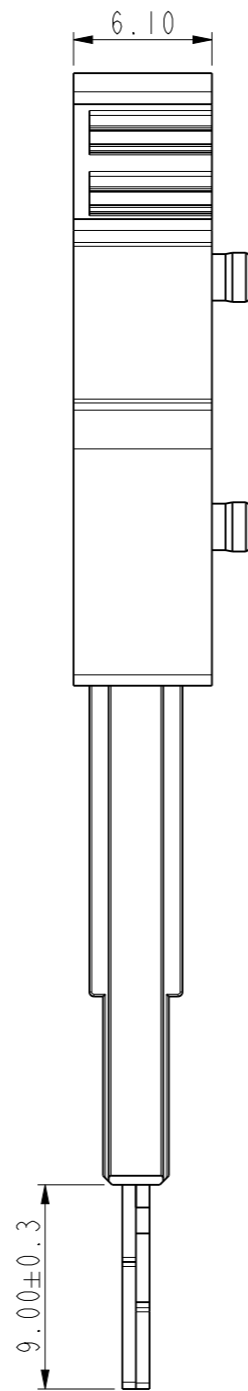
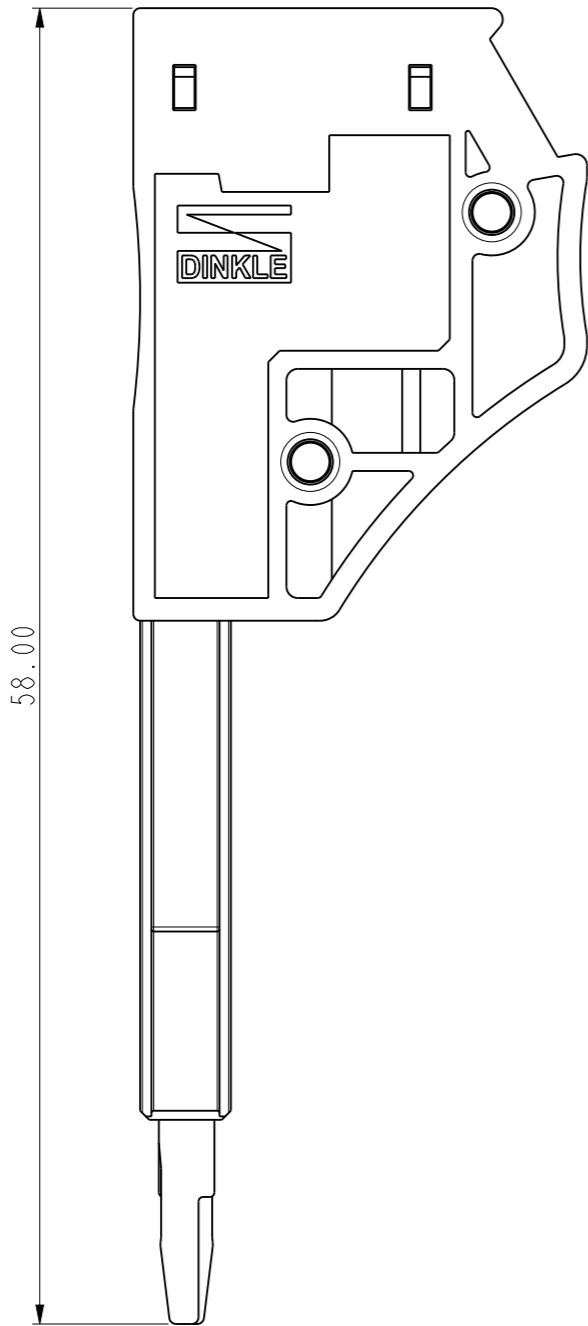
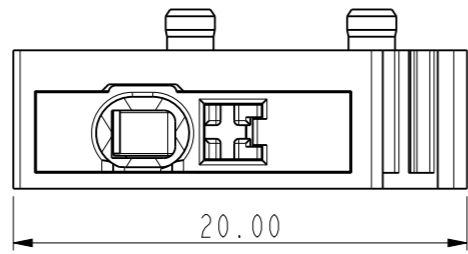


DINKLE has proprietary right to these drawings and specifications hereon, it shall not be reproduced or used as the basis for the manufacture of devices without permission. User should verify drawings are the most recent version.  
Copyright © DINKLE Enterprise Co., Ltd. All Rights reserved.



- NOTES 1:
- UL Standard :
  - 1. Rating: 9A
  - 2. Insulation Withstands Voltage: AC 2200V at 1 minute
  - 3. Using Temperature Range: -40°C~+115°C
  - 4. Suitable Electric Wire: AWG 24~16
  - IEC Standard :
  - 1. Rating: 9A
  - 2. Rate Impulse Voltage: 6000V
  - 3. Insulation Resistance: 500MΩ or more at DC500V
  - 4. Material Group: I
  - 5. Pollution Degree : 2
  - 6. Overvoltage Category: II
  - 7. Using Temperature Range: -40°C~+120°C
  - 8. Suitable Electric Wire: 0.2~1.5mm<sup>2</sup>

- NOTES 2:
- 1. RoHS compliance
  - 2. Strip Length: 8mm
  - 3. Rated Voltage: 600V

**Test plug for DP4N terminals**

ITEM	NAME OF PART	MATERIAL	NOTES
5	Spring Clamp	STEEL	
4	SOLDER PIN	COPPER ALLOY	Tin Plated
3	LEVER	PA66	UL94-V0 ORANGE
2	HOUSING	PA66	UL94-V0 RED
1	HOUSING	PA66	UL94-V0 RED

DRW.	Dean.Li	DATE	2019-01-11	GENERAL TOLERANCE	
CHK.	Hang.Han	DATE	2019-01-11	SPECIFICATION FILE	
APP.	Clark.Deng	DATE	2019-01-11	DRAWING TYPE	SP-03

NAME **0208-T002**

	<b>DINKLE ENTERPRISE CO., LTD.</b>	UNITS	mm	THIRD ANGLE PROJECTION	
		SCALE	3:1	SHEET/OF	1/1

Total Pitch Tolerances		Normal dimension Tolerances	
0~30	±0.20	0~30	±0.25
over 30~53	±0.25	over 30~53	±0.30
over 53~70	±0.30	over 53~70	±0.35
over 70~90	±0.35	over 70~90	±0.44
over 90~115	±0.44	over 90~115	±0.55
over 115~150	±0.55	over 115~150	±0.70
over 150~200	±0.70	over 150~200	±0.85
over 200~250	±0.85	over 200~250	±1.00
over 250~320	±1.00	over 250~320	±1.20

**0208-T002**  
**0208 - series of test plugs (series of plug connectors/terminals)**  
**T002 - modification to connect to DP4N terminals**

VI	I	REV.	CONTENT	DRW.	DATE