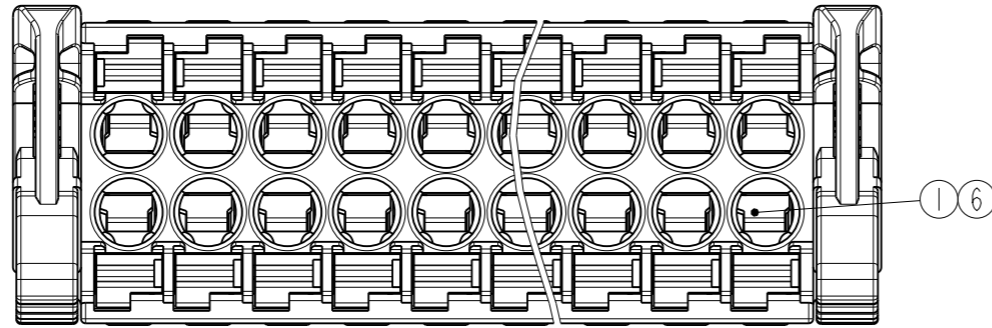


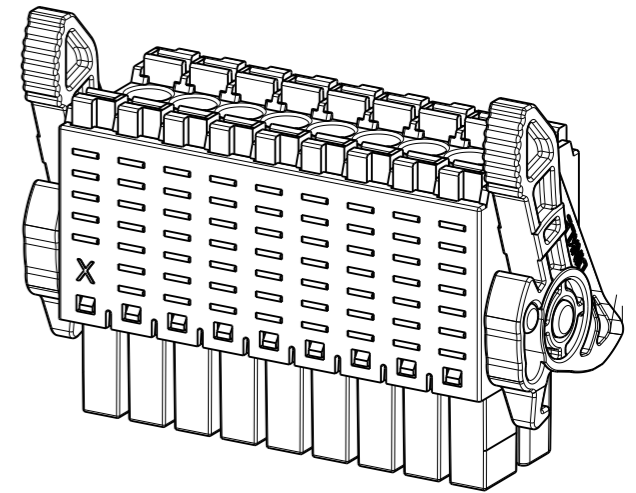
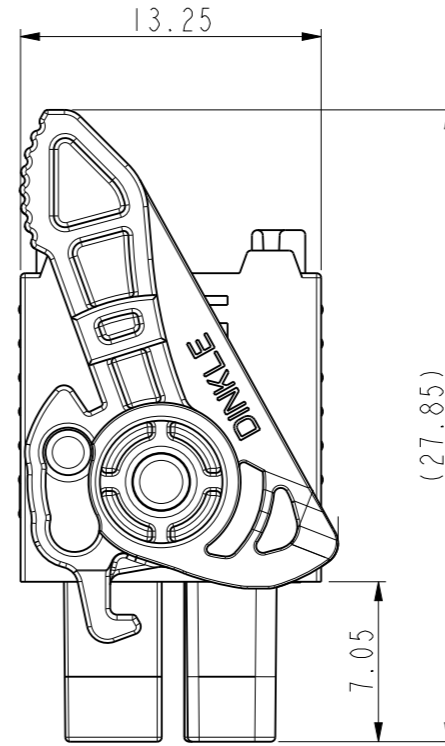
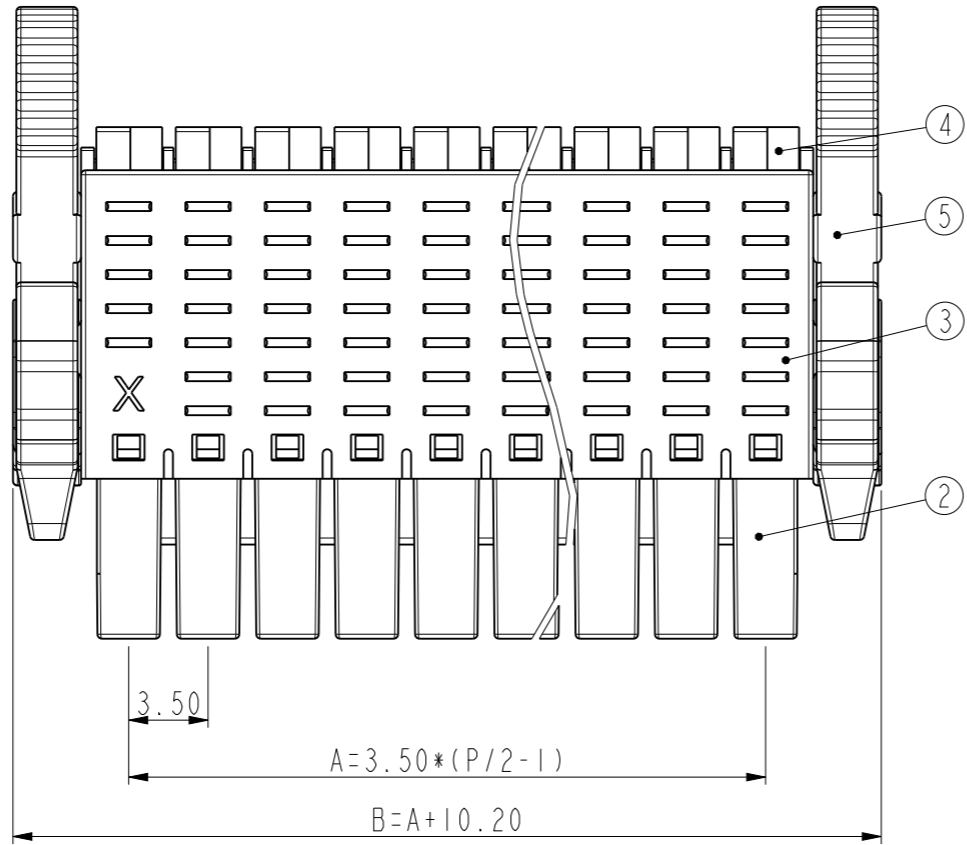
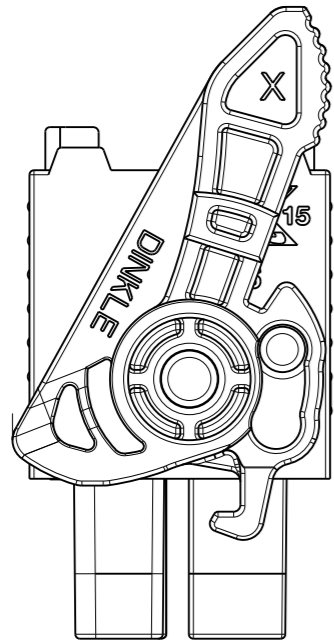
DINKLE has proprietary right to these drawings and specifications hereon, it shall not be reproduced or used as the basis for the manufacture of devices without permission. User should verify drawings are the most recent version.
Copyright © DINKLE Enterprise Co., Ltd. All Rights reserved.



PART NUMBERS
0159-04 XX -

POLES COLOR

04: 4POLES BLANK: BLACK (STANDARD COLOR)
06: 6POLES GN: GREEN
: GY: GREY
40: 40POLES



6	S-CAGE	STAINLESS STEEL	
5	RELEASE TOOL	POM	ORANGE
4	LEVER	POM	ORANGE
3	HOUSING	PA66	UL94-V0 BLACK
2	COVER	PA66	UL94-V0 BLACK
1	CLAMP	HIGH PERFORMANCE COPPER ALLOY	Tin Plated
ITEM	NAME OF PART	MATERIAL	NOTES

P	4	6	8	10	12	14	16	18	20	
A	3.50	7.00	10.50	14.00	17.50	21.00	24.50	28.00	31.50	
B	13.70	17.20	20.70	24.20	27.70	31.20	34.70	38.20	41.70	
P	22	24	26	28	30	32	34	36	38	40
A	35.00	38.50	42.00	45.50	49.00	52.50	56.00	59.50	63.00	66.50
B	45.20	48.70	52.20	55.70	59.20	62.70	66.20	69.70	73.20	76.70

Total Pitch Tolerances		Normal dimension Tolerances	
0~30	±0.20	0~30	±0.25
over 30~53	±0.25	over 30~53	±0.30
over 53~70	±0.30	over 53~70	±0.35
over 70~90	±0.35	over 70~90	±0.44
over 90~115	±0.44	over 90~115	±0.55
over 115~150	±0.55	over 115~150	±0.70
over 150~200	±0.70	over 150~200	±0.85
over 200~250	±0.85	over 200~250	±1.00
over 250~320	±1.00	over 250~320	±1.20

V5	3		
REV.	CONTENT	DRW.	DATE

DRW.	Wyatt.Cheng	DATE	2022-02-17	GENERAL TOLERANCE	
CHK.	Mike.Li	DATE	2022-02-17	SPECIFICATION FILE	SF-0159-04-001
APP.	rdadmin	DATE	2022-02-17	DRAWING TYPE	SP-03

NAME **0159-04XX**

	DINKLE ENTERPRISE CO., LTD.	UNITS	mm	THIRD ANGLE PROJECTION	
		SCALE	3:1	SHEET/OF	1/1

0159-04

 规格书编号/Specification File No.: **SF-0159-04-001**

版本/Version: A6

一般資訊 / General Information

产品长叙述/Long description	PCB Connector – Plug ,Push-in Design , Pitch :3.50mm , 300V , 8A
产品类型/Product type	PCB Connector – Plug
间距/ Pitch (mm)	3.50
产品颜色/ Color	Refer to drawing
接线方式/Connection method	Push-in Design
固定方式/ Type of locking	With release tool
产品长度/ Length (mm)	$3.50*(P/2-1)+10.2$
产品宽度/ Width (mm)	13.25
产品高度/ Height (mm)	27.85
电位数/Circuit diagram	4~40
产品点数 / Number of poles	4P~40P
产品层数/Level	2
连接点数/Connection points	4~40

材料信息/ Material Information

绝缘材料/ Insulating material	PA66
绝缘材料组别 / Insulating material group	I
阻燃等级,符合 UL94 / UL94 Flammability rating	V0
绝缘阻抗/ Insulation resistance	$\geq 500M\Omega$ at DC 500V
导体材料/ Conductor material	HIGH PERFORMANCE COPPER ALLOY
导体表面镀层/ Plating of conductor surface	Tin PLATED

IEC数据 / IEC Data

额定电压 / Rated Voltage (V)	320
额定电流 / Rated Current (A)	8
额定电压 (II/2) / Rated Voltage (II/2) (V)	320
额定电压 (III/2) / Rated Voltage (III/2) (V)	160
额定电压 (III/3) / Rated Voltage (III/3) (V)	160
额定冲击电压(II/2) / Rated Impulse Voltage (II/2)(kV)	2.5
额定冲击电压(III/2) / Rated Impulse Voltage (III/2)(kV)	2.5

0159-04

 规格书编号/Specification File No.: **SF-0159-04-001**

版本/Version: A6

额定冲击电压(III/3) / Rated Impulse Voltage (III/3)(kV)	2.5
最小硬质导线横截面积 / Conductor cross section solid. min (mm ²)	0.2
最大硬质导线横截面积 / Conductor cross section solid. max (mm ²)	1.5
最小柔性导线横截面积/ Conductor cross section stranded. min (mm ²)	0.2
最大柔性导线横截面积/ Conductor cross section stranded. max (mm ²)	1.5
柔性导线横截面积·最小的管状裸端子 / Conductor cross section flexible, with min ferrule without insulation (mm ²)	0.25
柔性导线横截面积·最大的管状裸端子 / Conductor cross section flexible, with max ferrule without insulation (mm ²)	1.5
柔性导线横截面积·最小的管状预绝缘端子 / Conductor cross section flexible, with min ferrule with insulation (mm ²)	0.25
柔性导线横截面积·最大的管状预绝缘端子 / Conductor cross section flexible, with max ferrule with insulation (mm ²)	0.75

UL数据 / UL Data

额定电压 (UL/CUL 标准 B 组)/Rated Voltage (UL/CUL Group B)(V)	300
额定电流 (UL/CUL 标准 B 组)/Rated Current (UL/CUL Group B) (A)	8
额定电压 (UL/CUL 标准 C 组)/ Rated Voltage (UL/CUL Group C)(V)	50
额定电流 (UL/CUL 标准 C 组)/Rated Current (UL/CUL Group C) (A)	8
额定电压 (UL/CUL 标准 D 组)/ Rated Voltage (UL/CUL Group D)(V)	300
额定电流 (UL/CUL 标准 D 组)/Rated Current (UL/CUL Group D) (A)	8
最小导线, 符合 UL/CUL / Min. wire connection acc. to UL/CUL(AWG)	24
最大导线, 符合 UL/CUL /Max. wire connection acc. to UL/CUL(AWG)	16
最小硬质导线, 符合 UL/CUL/ Min. solid wire connection acc. to UL/CUL(AWG)	24
最大硬质导线, 符合 UL/CUL/ Max. solid wire connection acc. to UL/CUL(AWG)	16

通用参数 / General Data

螺丝刀规格/Screwdriver size	0.4x2.5
剥线长度/ Stripping Length (mm)	9~10

环境与安全 / Environmental and safety

手指防护(YES or NO) / Finger protection	YES
最高工作温度 / Operating temperature max (°C)	120
最低工作温度 / Operating temperature min (°C)	-40

配件/Accessories

0159-04

 规格书编号/Specification File No.: **SF-0159-04-001**

版本/Version: A6

配件信息:	
防呆片/KEY CODE	0159K1L

产品认证/许可/ Approvals



UL Recognized

线径范围 B 组/Wire Range (Group B) (AWG)	24~16
额定电压 B 组/Rated Voltage (Group B) (V)	300
额定电流 B 组/Rated Current (Group B) (A)	8
线径范围 C 组/Wire Range (Group C) (AWG)	24~16
额定电压 C 组/Rated Voltage(Group C) (V)	50
额定电流 C 组/Rated Current(Group C) (A)	8
线径范围 D 组/Wire Range(Group D) (AWG)	24~16
额定电压 D 组/Rated Voltage(Group D) (V)	300
额定电流 D 组/Rated Current(Group D) (A)	8

CUL Recognized

线径范围 B 组/Wire Range (Group B) (AWG)	24~16
额定电压 B 组/Rated Voltage (Group B) (V)	300
额定电流 B 组/Rated Current (Group B) (A)	8
线径范围 C 组/Wire Range (Group C) (AWG)	24~16
额定电压 C 组/Rated Voltage(Group C) (V)	50
额定电流 C 组/Rated Current(Group C) (A)	8
线径范围 D 组/Wire Range(Group D) (AWG)	24~16
额定电压 D 组/Rated Voltage(Group D) (V)	300
额定电流 D 组/Rated Current(Group D) (A)	8

0159-04

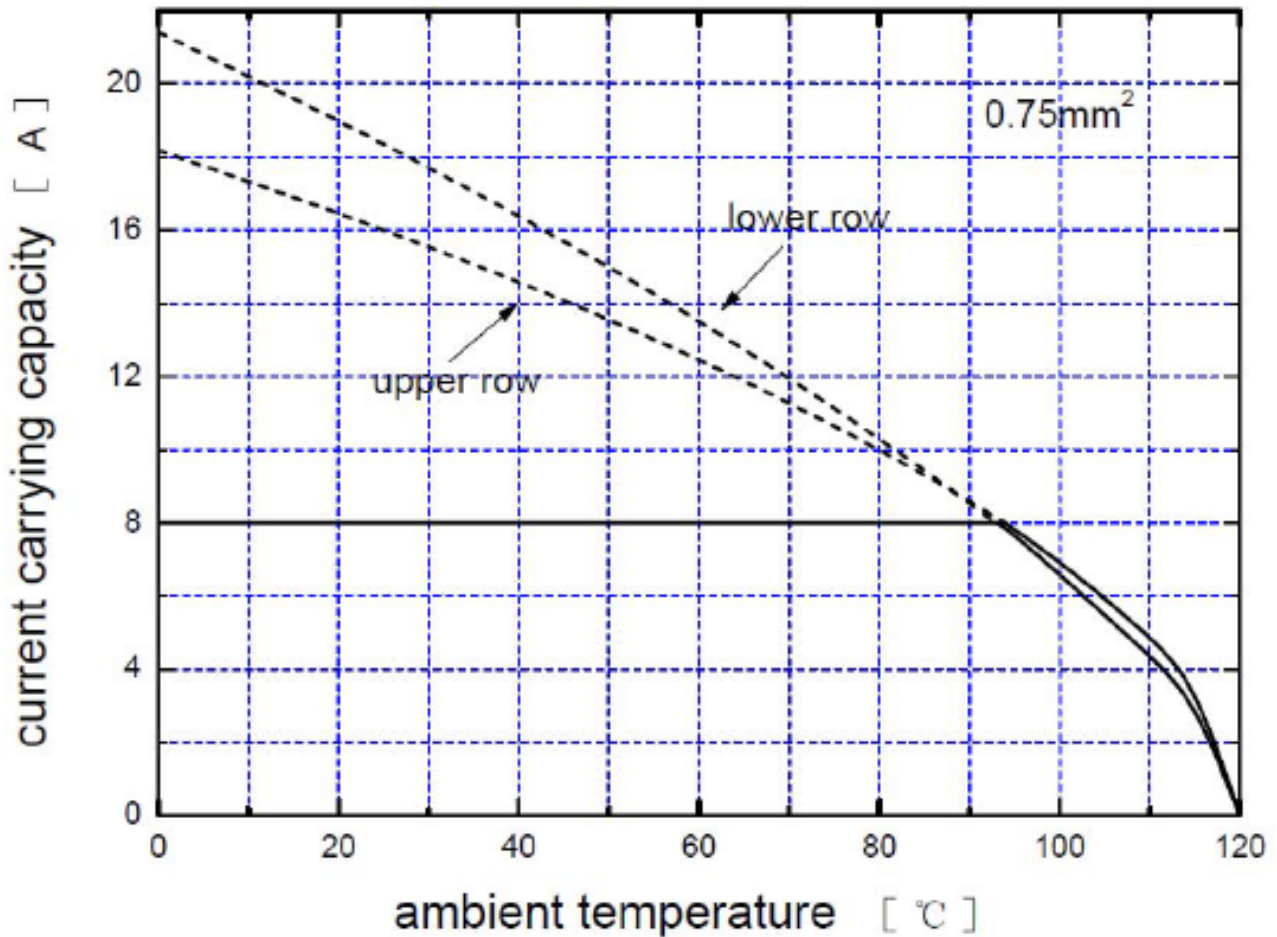
规格书编号/Specification File No.: **SF-0159-04-001**

版本/Version: A6

ENEC Approval 

线径范围 / Wire Range(mm ²)	0.2~1.5
额定电压/Rated Voltage(V)	320
额定电流/Rated Current (A)	8

降额曲线图 / Derating Curve



Reduction factor=0.8