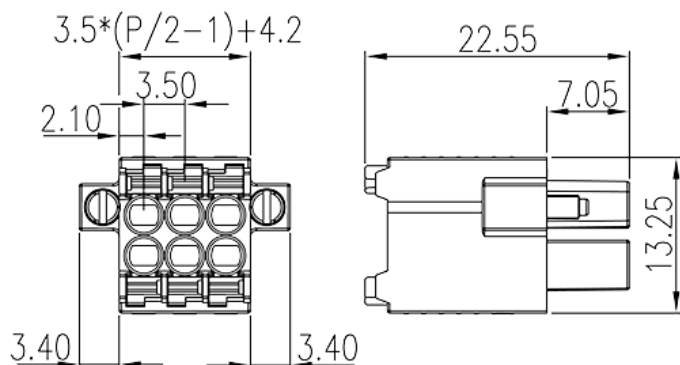


0159-01XX

PCB Terminal Blocks > PCB Connector-Plug

Date:2019-12-10Version:1.1



The web catalog is for reference only. Dinkle remains the right of product modification and engineering change of the design. The final product is made according to engineering drawing.

Product Description

Pitch : 3.50 mm , 150V, 8A

General information

Short description	PCB Connector Plug , Push in design
Category	PCB Connector Plug
Pitch (mm)	3.50
Color	Black(default)
Connection method	Push in design
Type of locking	With screw flange
Length (mm)	$3.50 \times (P/2 - 1) + 11.0$
Width (mm)	22.55
Height (mm)	13.25
Number of positions	04~40
Level	Double level

Material information

Insulation material	PA66
Insulation material group	I
Flame retardant rating , compliant with UL94	V0

Conductor material	Copper Alloy
Plating of conductor surface	Tinned

Connection data-IEC

Rated current (A)	8
Rated voltage (II/2)(V)	250
Rated impulse voltage (II/2)(KV)	2.5
Rated impulse voltage (III/2)(KV)	2.5
Rated impulse voltage (III/3)(KV)	2.5
Conductor cross section solid. min (mm ²)	0.2
Conductor cross section solid.max (mm ²)	1.5
Conductor cross section stranded. min (mm ²)	0.2
Conductor cross section stranded. max (mm ²)	1.5
Stripping Length (mm)	9~10

Connection data-UL

Rated voltage (UL/CUL Group B)(V)	150
Rated current (UL/CUL Group B)(A)	8
Min. solid wire connection (AWG) acc. to UL/CUL	24
Max. solid wire connection AWG acc. to UL/CUL	16
Min. stranded wire connection AWG acc. to UL/CUL	24
Max. stranded wire connection AWG acc. to UL/CUL	16

Environment & Safety

Finger protection (YES or NO)	YES
Operating temperature. max (°C)	115
Operating temperature. min (°C)	-40

UL Recognized

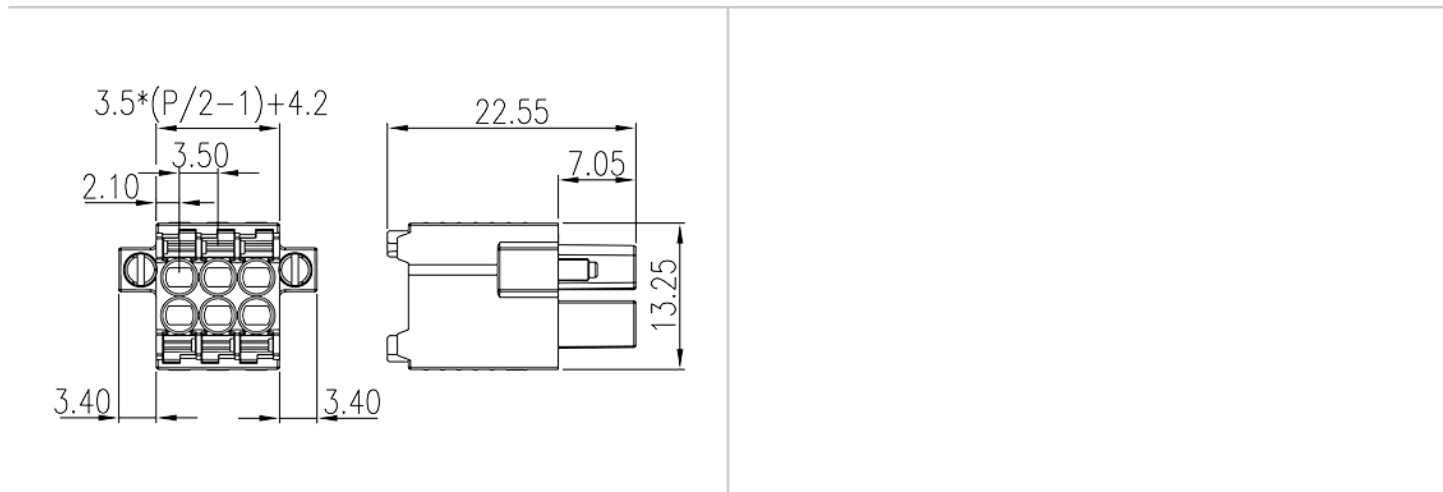
Wire Range (Group B)(AWG)	24~16
Rated voltage (Group B)(V)	150
Rated current (Group B)(A)	8

CUL Recognized

Wire Range (Group B)(AWG)	24~16
---------------------------	-------

Rated voltage (Group B)(V)	150
Rated current (Group B)(A)	8

Drawings



Approvals

