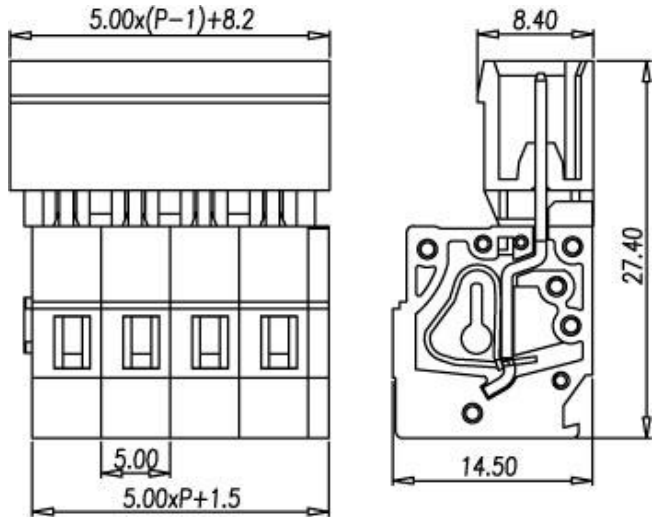


0147 & 0148 Spring Clamp series



0148-14



Pitch: 5.00mm

Approval		
Technical Data	UL	IEC
Rated voltage	300V	250V
Rated current	15A	12A
Conductor cross-section, solid (AWG/ mm ²)	28~12	
Conductor cross-section, flexible (AWG/ mm ²)		
Rated surge voltage (UL/IEC/Max.)	1.6 / / KV	
Torque (N-m)		
Screw		
Wire strip length	8~9mm	
Pole	Cat. No.	
02	0148-1402	
:	:	
:	:	
24	0148-1424	

TEL: +886-2-2908-0614

FAX: +886-2-2908-8549

E-mail: info@dinkle.com.tw