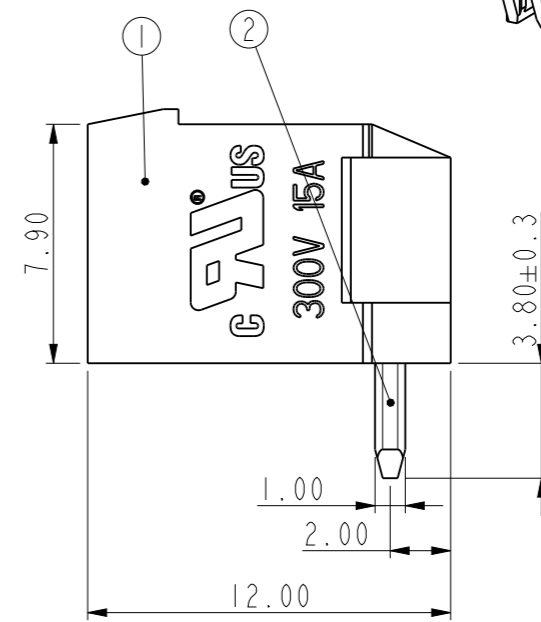
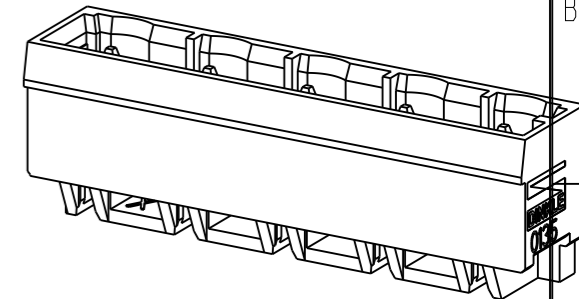
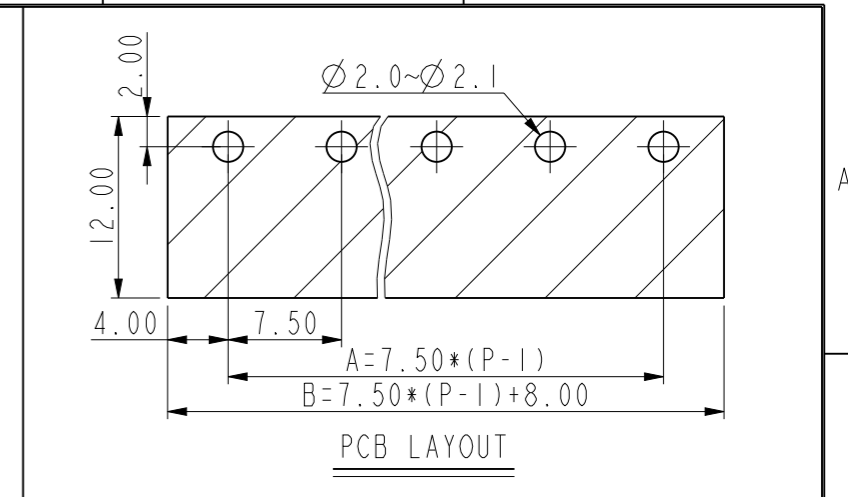
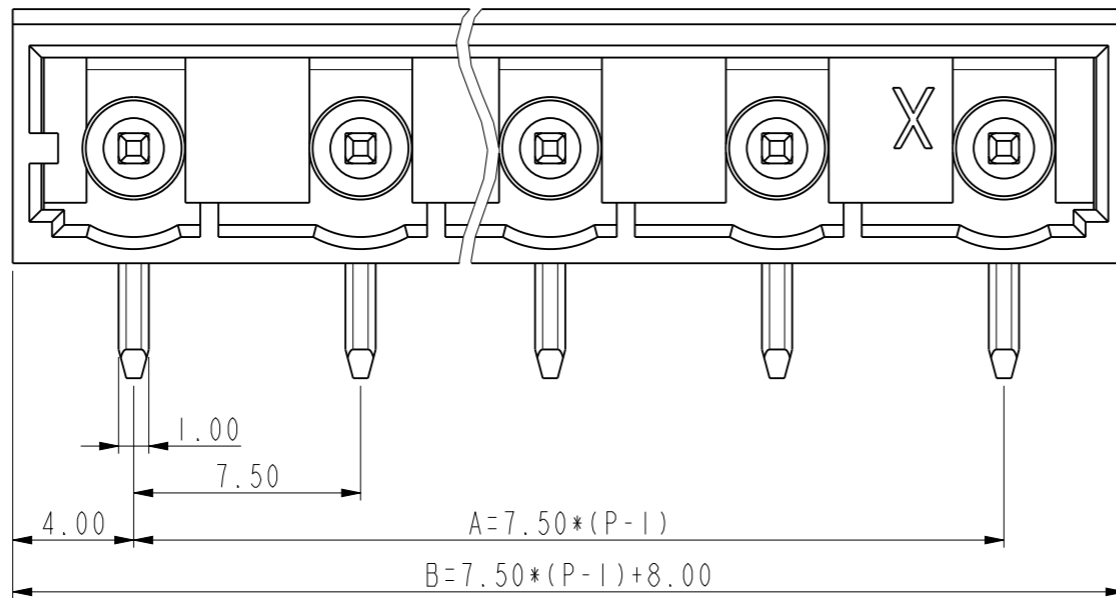
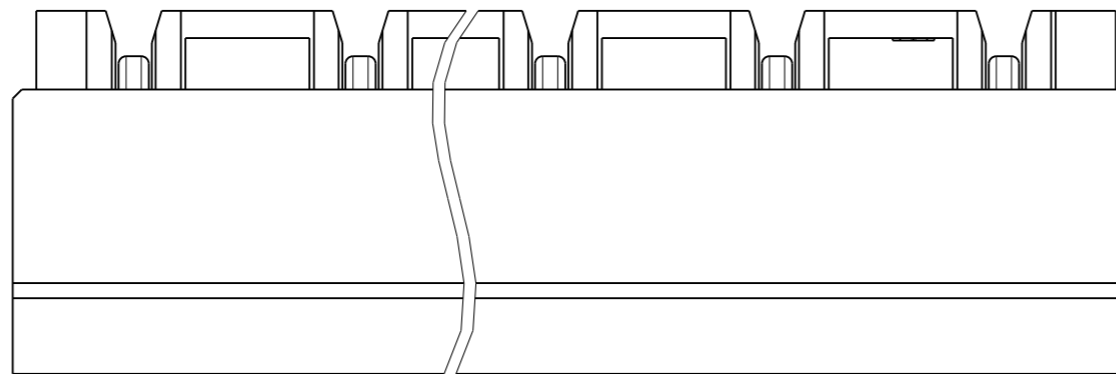


DINKLE has proprietary right to these drawings and specifications hereon, it shall not be reproduced or used as the basis for the manufacture of devices without permission. User should verify drawings are the most recent version.
Copyright © DINKLE Enterprise Co., Ltd. All Rights reserved.



P	2	3	4	5	6	7
A	7.5	15	22.5	30	37.5	45
B	15.5	23	30.5	38	45.5	53
P	8	9	10	11	12	
A	52.5	60	67.5	75	82.5	
B	60.5	68	75.5	83	90.5	

NOTES:

1. RoHS Compliance
2. PART NUMBERS

0135-31XX-□□

POLES COLOR

02 POLES BLANK: GREY (STANDARD COLOR)

23 POLES BK: BLACK

12 POLES

2	SOLDER PIN	COPPER ALLOY	Tin Plated
1	HOUSING	PA66	GREY
ITEM	NAME OF PART	MATERIAL	NOTES

DRW.	Song. Yang	DATE	2018-12-25	GENERAL TOLERANCE	
CHK.	Don. Yan	DATE	2020-05-14	SPECIFICATION FILE	SF-0135-31-001
APP.	rdadmin	DATE	2020-05-14	DRAWING TYPE	SP-03

NAME	0135-31XX				
------	------------------	--	--	--	--

Total Pitch Tolerances		Normal dimension Tolerances	
0~30	±0.20	0~30	±0.25
over 30~53	±0.25	over 30~53	±0.30
over 53~70	±0.30	over 53~70	±0.35
over 70~90	±0.35	over 70~90	±0.44
over 90~115	±0.44	over 90~115	±0.55
over 115~150	±0.55	over 115~150	±0.70
over 150~200	±0.70	over 150~200	±0.85
over 200~250	±0.85	over 200~250	±1.00
over 250~320	±1.00	over 250~320	±1.20

V5	2	Song. Yang	2020-05-14
REV.	CONTENT	DRW.	DATE

DINKLE ENTERPRISE CO., LTD.	UNITS	mm	THIRD ANGLE PROJECTION	
	SCALE	4:1	SHEET/OF	1/1

0135-31

 规格书编号/Specification File No.: **SF-0135-31-001**

版本/Version: A1

一般資訊 / General Information

产品长叙述/Long description	PCB Connector,Pitch :7.50mm,300V , 15A ;
产品类型/Product type	PCB Connector – Socket
间距/ Pitch (mm)	7.50
产品标准颜色/ Color	Refer to drawing
固定方式/ Type of locking	Without
焊接方式/Soldering Method	Wave soldering
产品长度/ Length (mm)	7.50*(P-1)+8
产品宽度/ Width (mm)	12
产品高度/ Height (mm)	8.4
出脚尺寸(厚度___x 宽度___mm)/ Pin dimensions(mm)	1.2*1.2
焊孔直径 / PCB hole diameter(mm)	2~2.1
产品点数/Number of poles	02P~12P

材料信息/ Material Information

绝缘材料/ Insulating material	PA66
绝缘材料组别 / Insulating material group	I
阻燃等级,符合 UL94 / UL94 Flammability rating	V0
绝缘阻抗/ Insulation resistance	≥500MΩ at DC 500V
导体材料/ Conductor material	Copper Alloy
导体表面镀层/Plating of conductor surface	Tin PLATED

IEC数据 / IEC Data

额定电压 / Rated Voltage (V)	1000
额定电流 / Rated Current (A)	24
额定电压 (II/2) / Rated Voltage (II/2) (V)	1000
额定电压 (III/2) / Rated Voltage (III/2) (V)	630
额定电压 (III/3) / Rated Voltage (III/3) (V)	630
额定冲击电压(II/2) / Rated Impulse Voltage (II/2)(kV)	6
额定冲击电压(III/2) / Rated Impulse Voltage (III/2)(kV)	6
额定冲击电压(III/3) / Rated Impulse Voltage (III/3)(kV)	6

0135-31

规格书编号/Specification File No.: **SF-0135-31-001**

版本/Version: A1

UL数据 / UL Data

额定电压 (UL/CUL 标准 B 组)/Rated Voltage (UL/CUL Group B)(V)	300
额定电流 (UL/CUL 标准 B 组)/Rated Current (UL/CUL Group B) (A)	15
额定电压 (UL/CUL 标准 D 组)/Rated Voltage (UL/CUL Group D)(V)	300
额定电流 (UL/CUL 标准 D 组)/Rated Current (UL/CUL Group D) (A)	10

环境与安全/ Environmental and safety

手指防护(YES or NO) / Finger protection	YES
最高工作温度 / Operating temperature max (°C)	120
最低工作温度 / Operating temperature min (°C)	-40

配件/Accessories

Key code	0135L2
----------	--------

产品认证/许可/ Approvals



UL Recognized

额定电压 B 组/Rated Voltage (Group B) (V)	300
额定电流 B 组/Rated Current (Group B) (A)	15
额定电压 D 组/Rated Voltage (Group D) (V)	300
额定电流 D 组/Rated Current (Group D) (A)	10

CUL Recognized

额定电压 B 组/Rated Voltage (Group B) (V)	300
额定电流 B 组/Rated Current (Group B) (A)	15
额定电压 D 组/Rated Voltage (Group D) (V)	300
额定电流 D 组/Rated Current (Group D) (A)	10