

NOTES 1:

UL Standard :

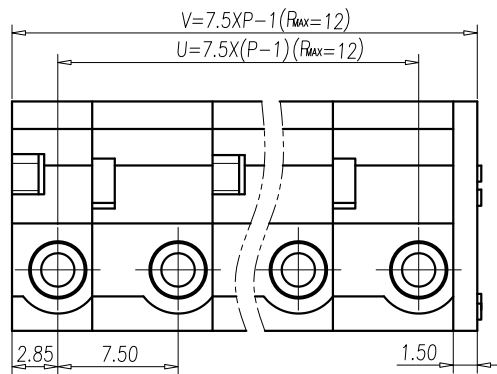
1. Rating: 300V 15A
2. Insulation Withstands Voltage: AC 2000V at 1 minute
3. Using Temperature Range: -40°C~+115°C
4. Suitable Electric Wire: 14~26 AWG

IEC Standard :

1. Rate Impulse Voltage: 6000V
2. Insulation Resistance: 500MΩ or more at DC500V

NOTES 2:

1. RoHS Compliance.
2. Assemble 2P, only need one 0134-1001 and one 0134-3002 and one SIDE COVER
3. Strip Length: 10mm



ITEM	NAME OF PART	MATERIAL	NOTES
4	SIDE COVER	PA66	UL94-V0 GREY
3	0134-3001		GREY
2	0134-3002		GREY
1	0134-1001		GREY

Total Pitch Tolerances		Normal Dimension Tolerances	
0~30	±0.20	0~30	±0.25
over 30~53	±0.25	over 30~53	±0.30
over 53~70	±0.30	over 53~70	±0.35
over 70~90	±0.35	over 70~90	±0.44
over 90~115	±0.44	over 90~115	±0.55
over 115~150	±0.55	over 115~150	±0.70
over 150~200	±0.70	over 150~200	±0.85
over 200~250	±0.85	over 200~250	±1.00
over 250~320	±1.00	over 250~320	±1.20

DWG.	H.fan	DATE	2017.08.14	UNITS	MM	SHEET/OF	1 / 1
CHK.		DATE		SCALE	3:1 ( : )		
APP.		DATE		NAME	0134-31XX		
REV.	CONTENT	NAME	DATE	 DINKLE ENTERPRISE CO.,LTD	DWG NO.	SP-03-013431XX	

△			
REV.	CONTENT	NAME	DATE